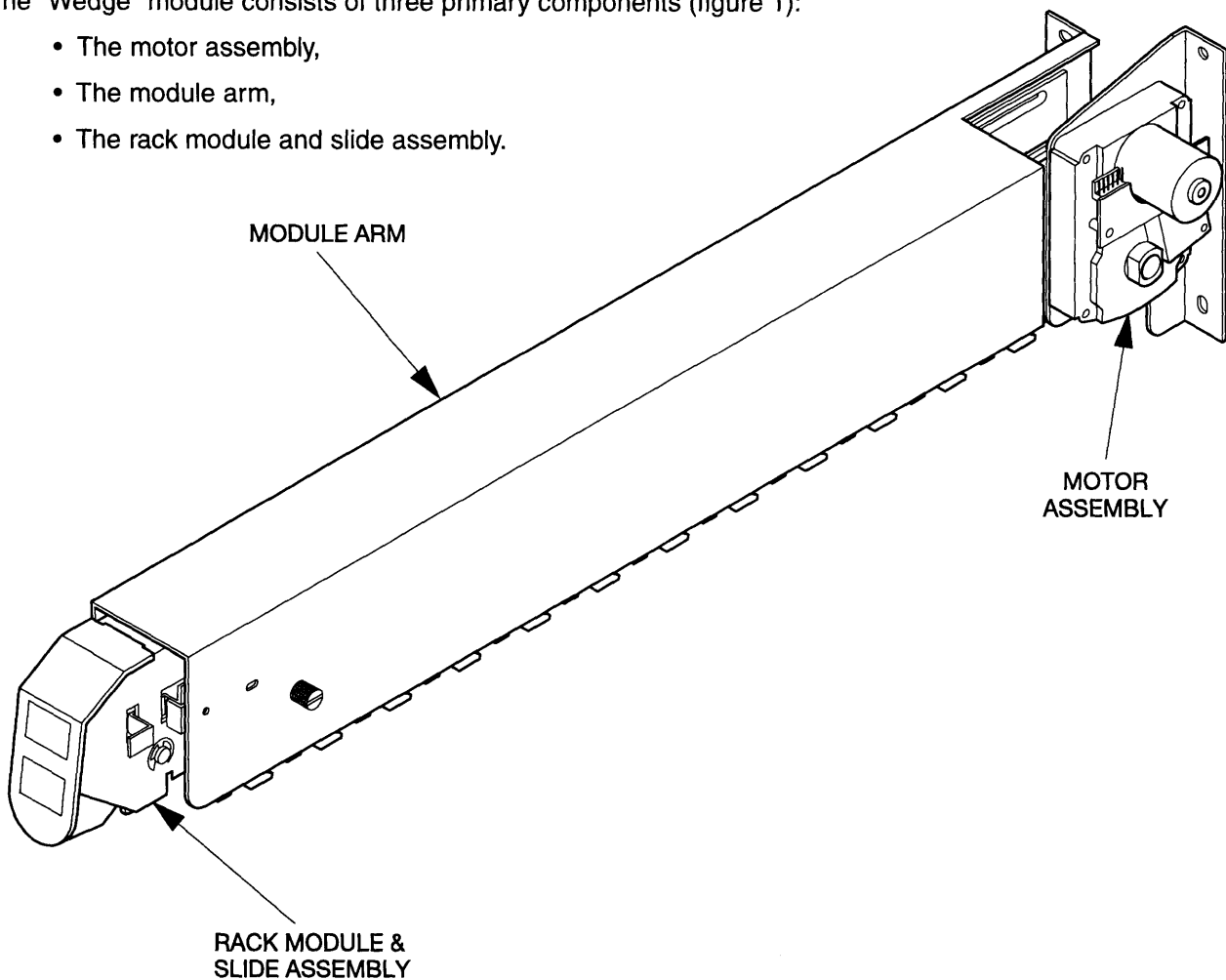


Appendix A - Wedge Module Option (Available on models 452 and 453 only)

Introduction

The "Wedge" module consists of three primary components (figure 1):

- The motor assembly,
- The module arm,
- The rack module and slide assembly.



452pk003

Figure 1

When a selection is made, the dispensing chain is advanced one step. As each chain segment moves around the front sprocket, the hook of the following segment releases the white slide and lifter of the leading chain segment, allowing the product to drop into the delivery compartment.

Loading Products

NOTE

Be sure the stop screw is in place before beginning this procedure.

1. Press the latch and pull the rack module and slide assembly toward you until it stops (figure 2).

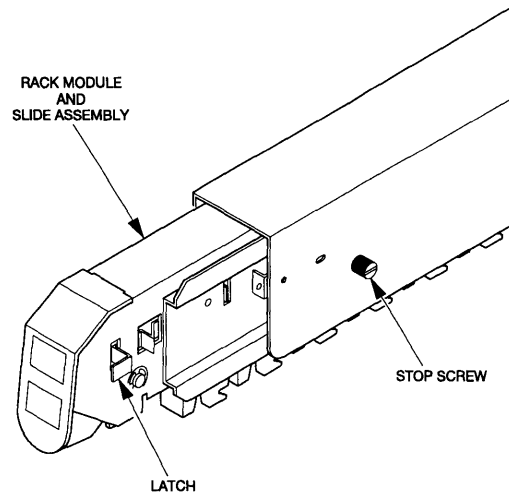


Figure 2

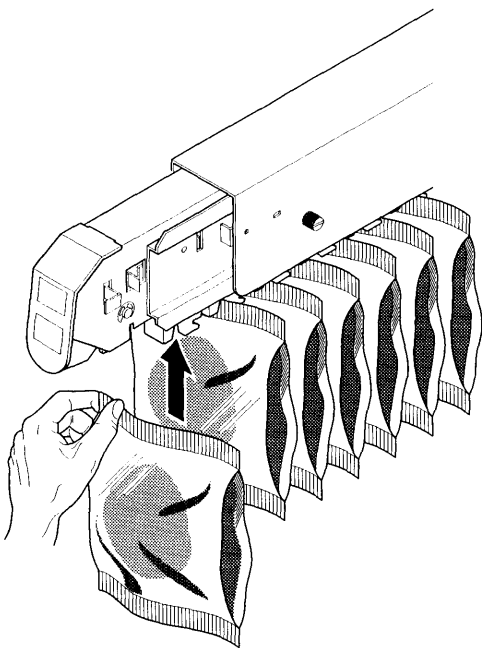


Figure 3

2. Insert a bag into each wedge as shown (figure 3). The best way to do this is to insert the bag at an angle, then slide it up until it is centered in the wedge. A total of 13 items may be loaded.

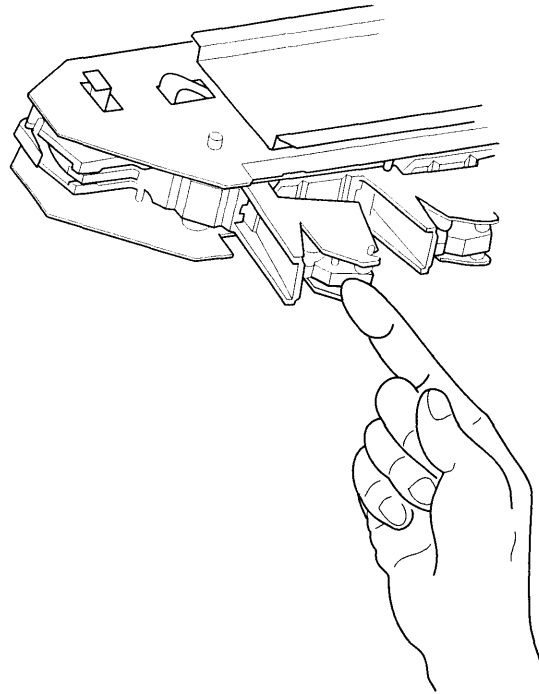
CAUTION

Once a product is loaded in a wedge, **DO NOT** pull it back out. Doing this could damage the wedge mechanism. To remove products, follow the **Removing Products** procedure.

3. Push the rack module and slide assembly back into the module arm until the latch clicks.

Removing Products

1. Push up on the forward portion of the white cylinder lifter as shown (figure 4). This releases the cylindrical wedge and allows the product to drop into your hand.



452ph011

Figure 4

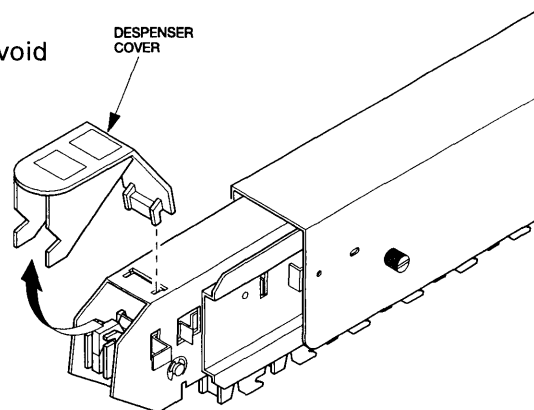
Chain Removal

Occasionally, the chain may break or require retiming due to being accidentally uncoupled. The following procedure will aid you in this task.

CAUTION

Take care during this procedure to avoid damaging the plastic chain parts.

1. Press the latch and pull the rack module and slide assembly toward you until it stops (figure 2).
2. Remove the dispenser cover as shown (figure 5).
3. Remove the stop screw (figure 2).
4. Pull the rack module and slide assembly completely out of the module arm.



452ph000

Figure 5

Main Setup Guide - Models 159, 160, 172, 173, 452, 453, 467, 468, 490, 493

5. Release the detent spring by pushing the flat end down and

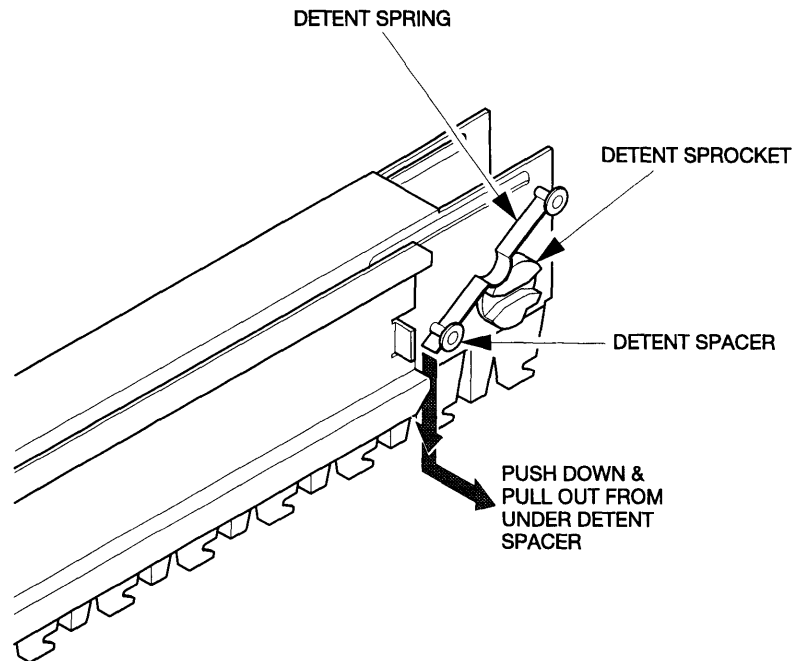


Figure 6

452pk006

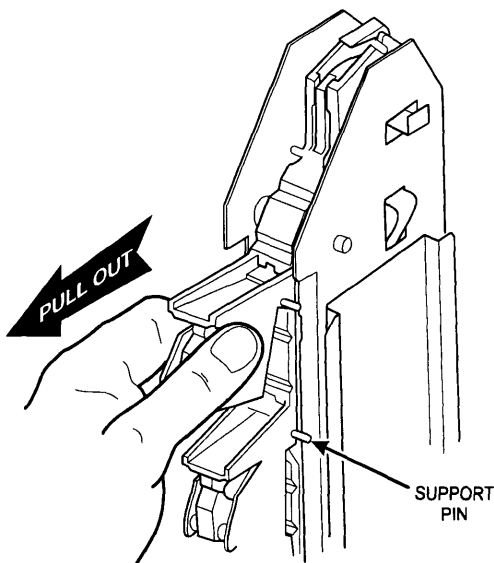


Figure 7

6. pulling it out from under the detent spacer (figure 6).
6. Hold the rack module and slide assembly with the delivery end up as shown (figure 7).
7. Pull a chain segment straight out while moving the chain opposite of the normal direction of rotation, so that the support pin rides on top of the slide flange.
8. Repeat the previous step until a total of 8 chain segments are free of the slide. This will give you enough slack to uncouple the chain. **Take care that the chain segments on the opposite end of the chain are clearing the slide assembly.**
9. Uncouple the chain by grasping one link near the support pin and the next link near the snap connector. Gently twist the chain until it snaps loose.
10. Allow the chain to fall free of the inner portion of the slide assembly.
11. As required, repair or replace chain components.

Chain Segment Repair

NOTE

Figure 8 is intended to show you the relationship of chain segment parts. For complete information, see your parts manual.

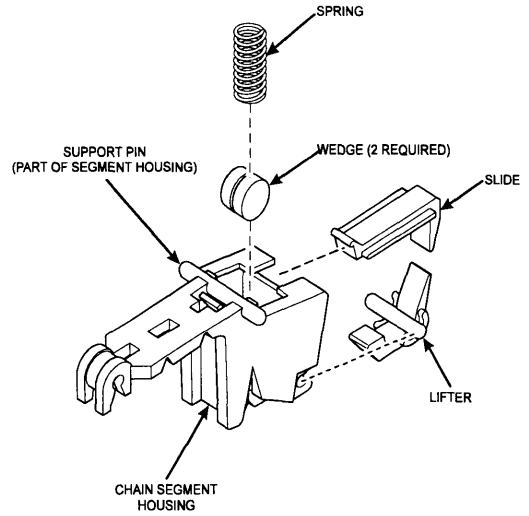


Figure 8

Chain Replacement

1. Lay the slide assembly upside down on a flat surface. Feed the chain through the slide assembly as

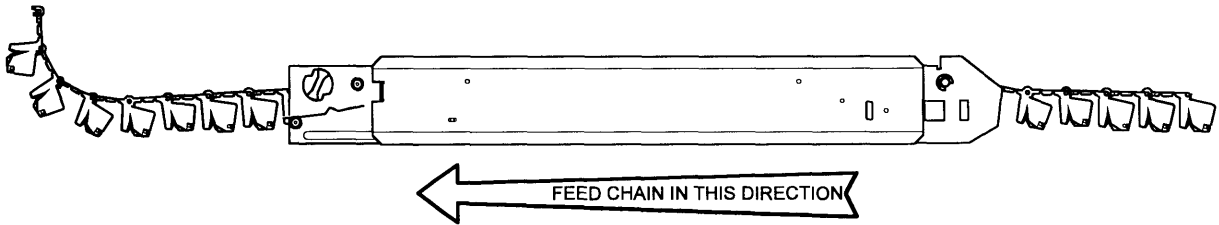


Figure 9

shown (figure 9). Leave equal amounts of chain on each side of the slide assembly.

Chain timing is very important. Follow these steps exactly.

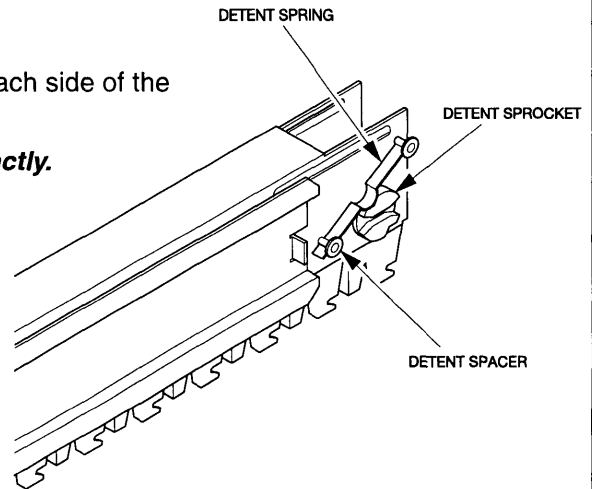


Figure 10

452p4007

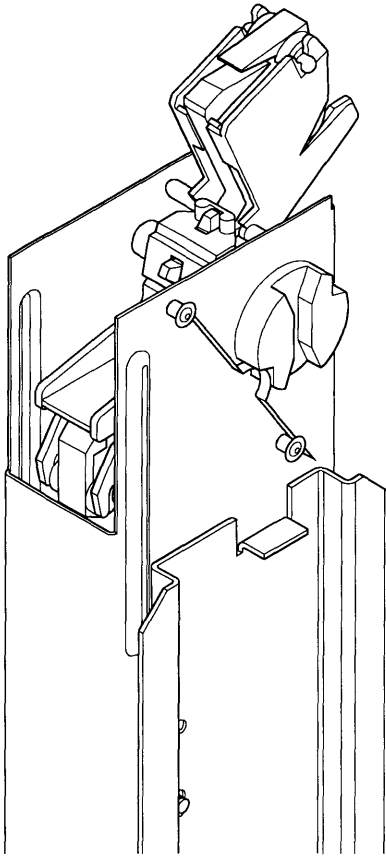


Figure 11

2. Re-engage the detent spring, making sure it captures one of the depressions in the detent sprocket (figure 10).

NOTE

Be careful not to move the detent sprocket during the following steps.

3. Align a support pin with the BACK edge of the slide assembly as shown (figure 11).
4. Pull both ends of the chain over the bottom of the slide assembly. Push the white slide flush with the back of the housing as shown. Push the snap connector on to the support pin as shown (figure 12).

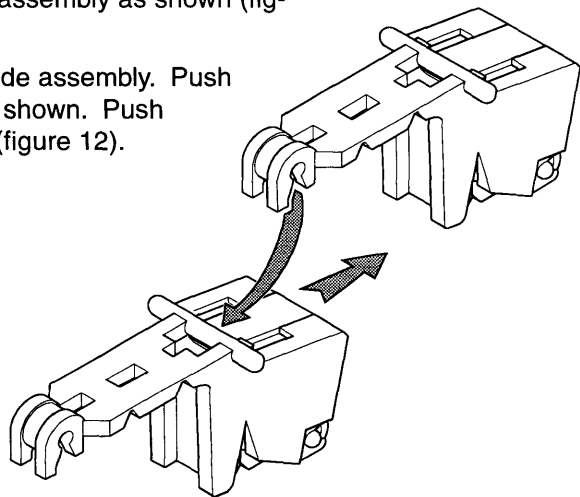


Figure 12

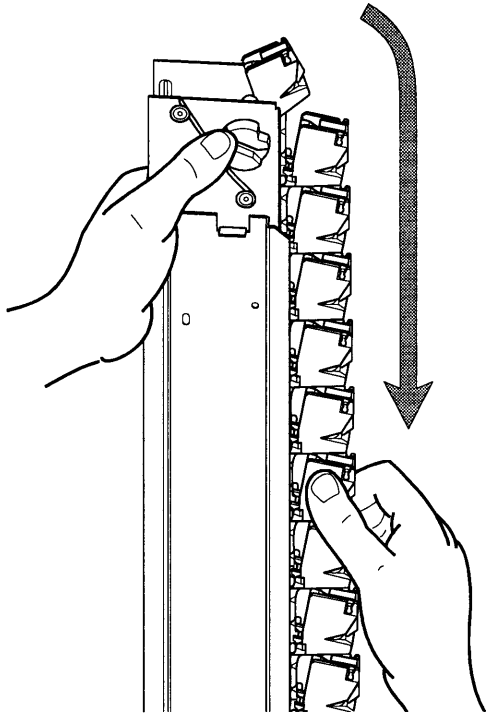


Figure 13

NOTE

For clarity, figure 12 shows the underside of the chain links.

5. Hold the rack module and slide assembly as shown (figure 13). Carefully pull the chain in the direction shown

(normal direction of movement) until all chain segment support pins are riding inside the slide assembly. (Releasing the detent spring allows the chain to move more freely.)

6. With the detent spring engaged in one of the detents, the leading chain segment should be in the position shown (figure 14), if the timing is correct.
7. Install the rack module and slide assembly back into the module arm.

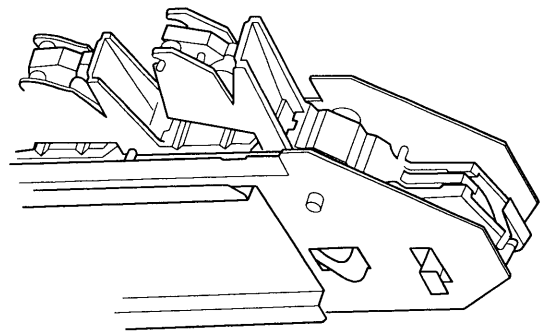


Figure 14